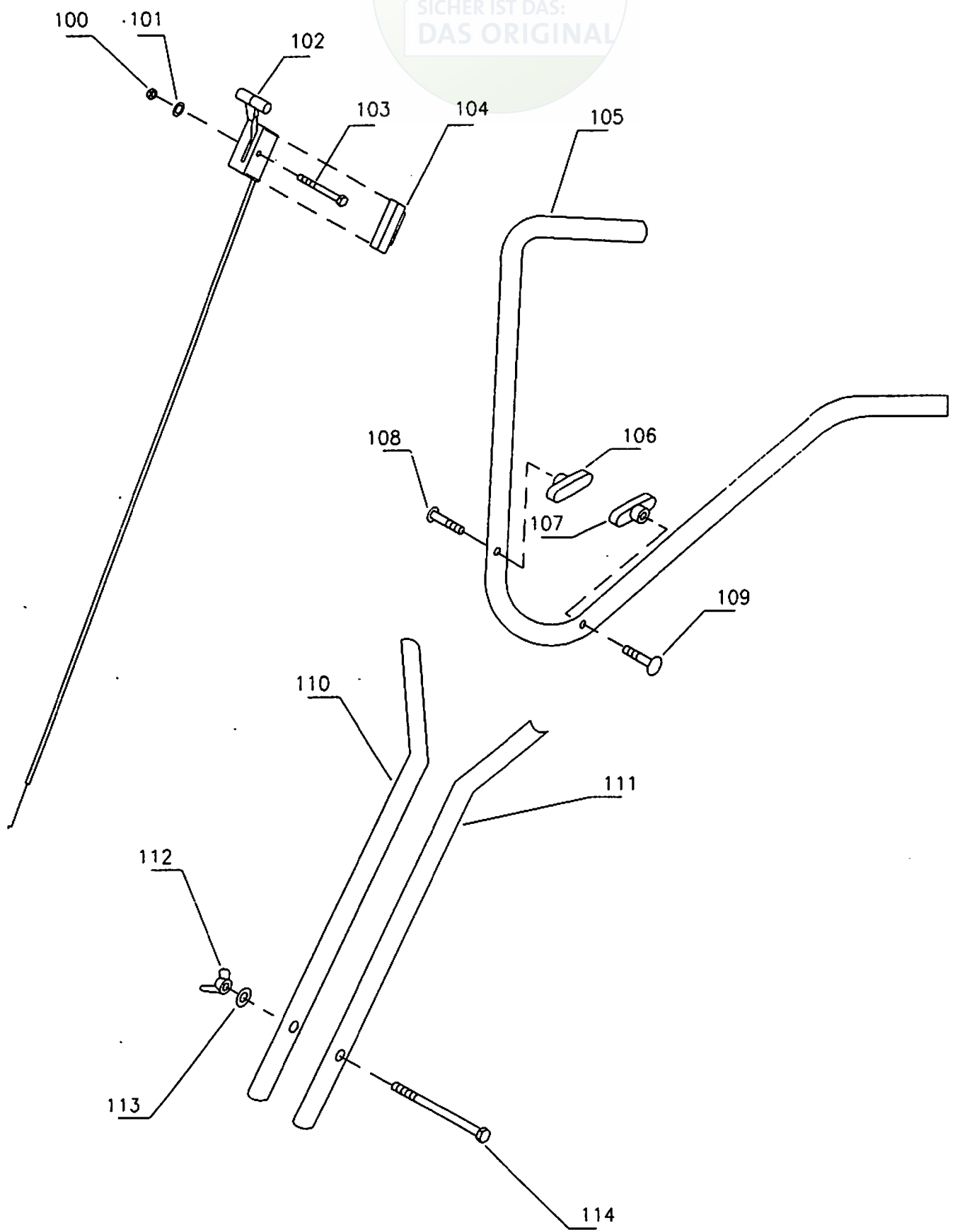
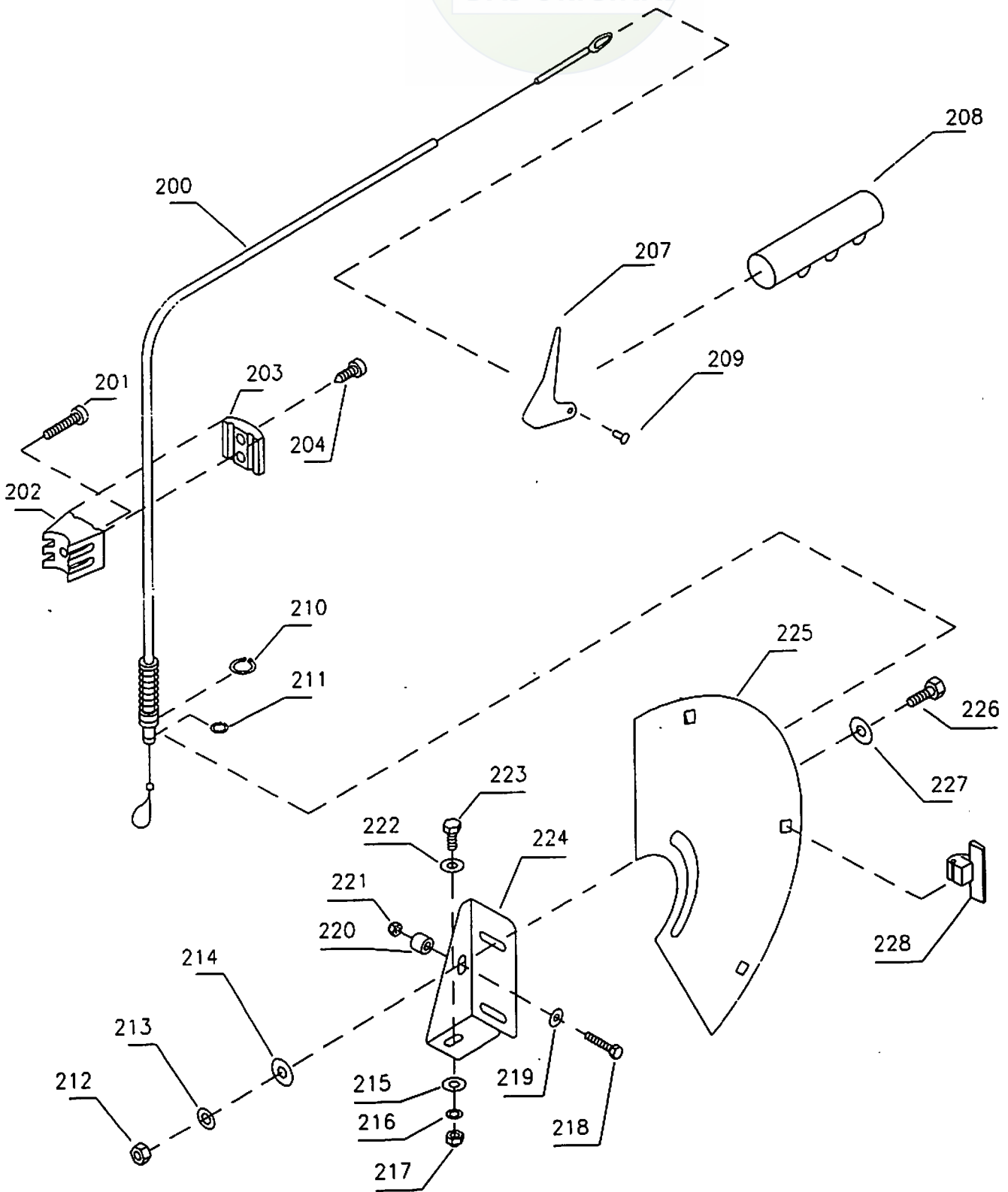


Utgåva Issue 1997-14		Bildnr Picture No 754		JB 35 MOTOR SPÄNNRULLE		JB 35 ENGINE BELT TENSIONER		Sida Page 116	
Pos. Fig.	Antal/Quantity			Art nr Part No	Benämning	Description	Sats Kit	Anmärkning Notes	
	1035								
1	4			9997-0845-12	Skruv .....	Screw .....			
2	4			9699-0028-02	Planbricka .....	Flat washer .....			
3	4			9683-0030-02	Låsbricka .....	Lock washer .....			
4	4			9799-0831-02	Mutter .....	Nut .....			
7	1			1111-9029-01	Tändstiftsnyckel .....	Spark plug wrench .....			
8	1			1482-0656-01	Värmskydd .....	Heat protection .....			
9	1			1482-0493-01	Remsträckare kpl .....	Belt tensioner assy .....			
10	1			1482-0781-01	• Bussning .....	• Bushing .....			
11	1			1482-0782-01	• Spännarm .....	• Tension arm .....			
12	1			9699-0028-02	• Planbricka .....	• Flat washer .....			
13	1			9683-0030-02	• Låsbricka .....	• Lock washer .....			
14	1			1482-0883-01	• Skruv .....	• Screw .....			
15	1			9799-1031-02	• Mutter .....	• Nut .....			
16	1			1482-0596-01	• Bussning .....	• Bushing .....			
17	1			1482-0550-01	• Spännrulle .....	• Tension roller .....			
18	1			9683-0040-02	• Låsbricka .....	• Lock washer .....			
19	1			9997-1025-16	• Skruv .....	• Screw .....			
20	2			9915-0808-15	Stoppsskruv .....	Set screw .....			
21	1			1482-0040-01	Kil .....	Key .....			
22	1			1482-0488-01	Kilremskiva .....	Belt pulley .....			
23	1			9699-0028-02	Planbricka .....	Flat washer .....			
24	1			9683-0025-02	Låsbricka .....	Lock washer .....			
25	1			9799-0631-02	Mutter .....	Nut .....			
26	1			1482-0628-01	Fjäderhållare .....	Spring retainer .....			
27	1			1482-0535-01	Fjäder .....	Spring .....			
28	1			1482-0229-01	Distansrör .....	Spacer .....			
29	1			9898-0625-16	Skruv .....	Screw .....			
30	1			1482-0545-01	Konsol .....	Bracket .....			
31	1			9699-0028-02	Planbricka .....	Flat washer .....			
32	1			9683-0030-02	Låsbricka .....	Lock washer .....			
33	1			9987-5189-12	Skruv .....	Screw .....			

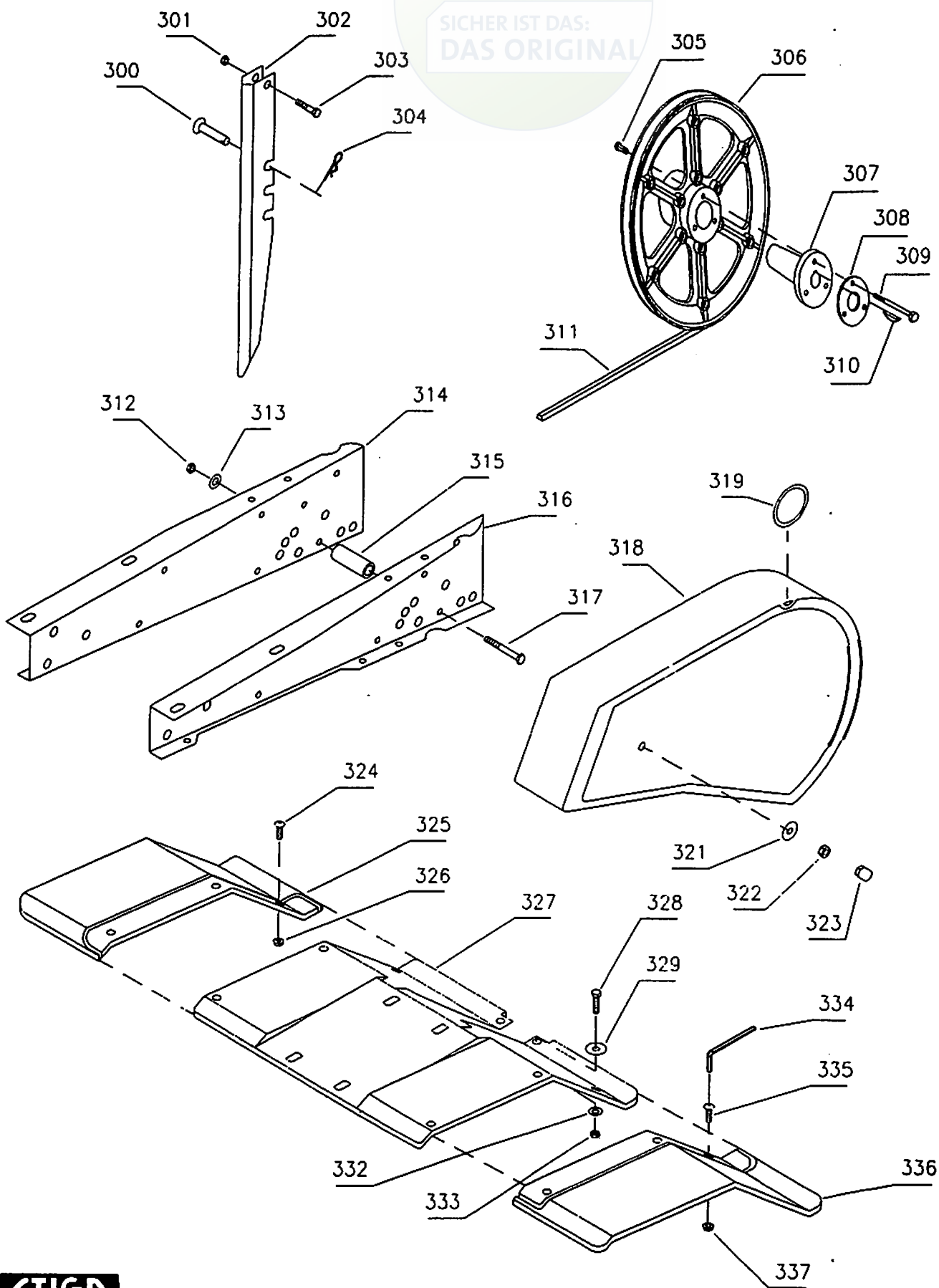


**STIGA**  
755  
SPARE PARTS

Utgåva Issue		Bildnr Picture No		JB 35 STYRE		JB 35 HANDLEBAR		Sida Page	
1997-14		755						118	
Pos. Fig.	Antal/Quantity			Art nr Part No	Benämning	Description	Sats Kit	Anmärkning Notes	
	1035								
100	1			9799-0531-02	Mutter.....	Nut.....			
101	1			9683-0015-02	Låsbricka.....	Lock washer.....			
102	1			1482-0635-01	Gasreglage.....	Throttle control.....			
103	1			9997-0545-12	Skruv.....	Screw.....			
104	1			1482-0678-01	Plastskydd.....	Plastic cover.....			
105	1			1482-0789-01	Styre-överdel.....	Handle-upper part.....			
106	1			1482-0576-01	Plastmutter.....	Plastic wing nut.....			
107	1			1482-0576-01	Plastmutter.....	Plastic wing nut.....			
108	1			9898-0635-12	Skruv.....	Screw.....			
109	1			9898-0635-12	Skruv.....	Screw.....			
110	1			1482-0790-01	Styrrör.....	Handle tube.....			
111	1			1482-0790-01	Styrrör.....	Handle tube.....			
112	1			9751-0821-02	Vingmutter.....	Wing nut.....			
113	1			9683-0030-02	Låsbricka.....	Lock washer.....			
114	1			9997-0812-02	Skruv.....	Screw.....			



Utgåva Issue		Bildnr Picture No		JB 35 KOPPLING		JB 35 CLUTCH		Sida Page	
1997-14		756						120	
Pos. Fig.	Antal/Quantity			Art nr Part No	Benämning	Description	Sats Kit	Anmärkning Notes	
	1035								
200	1			1482-0603-01	Kopplingswire-fram.....	Clutch cable-forward.....			
201	1			1482-0566-01	Skruv.....	Screw.....			
202	1			1482-0595-01	Kabelkloss.....	Cable holder.....			
203	1			1482-0594-01	Spännplatta.....	Plate,cable holder.....			
204	2			1482-0571-01	Skruv.....	Screw.....			
207	1			1482-0661-01	Kopplingshandtag.....	Clutch handle.....			
208	2			1482-0575-01	Handtag.....	Handle grip.....			
209	1			1482-0525-01	Nit.....	Rivet.....			
210	1			9650-0016-04	Seegersäkring.....	Circlip.....			
211	1			9650-0010-04	Seegersäkring.....	Circlip.....			
212	2			9799-0631-02	Mutter.....	Nut.....			
213	2			9683-0025-02	Låsbricka.....	Lock washer.....			
214	2			9699-0025-02	Planbricka.....	Flat washer.....			
215	1			9699-0025-02	Planbricka.....	Flat washer.....			
216	1			9683-0025-02	Låsbricka.....	Lock washer.....			
217	1			9799-0631-02	Mutter.....	Nut.....			
218	1			9997-0522-16	Skruv.....	Screw.....			
219	1			9699-0024-02	Planbricka.....	Flat washer.....			
220	1			1482-0503-01	Bussning.....	Bushing.....			
221	1			9747-0531-02	Mutter.....	Nut.....			
222	1			9699-0025-02	Planbricka.....	Flat washer.....			
223	1			9997-0616-16	Skruv.....	Screw.....			
224	1			1482-0626-01	Vinkel.....	Angle.....			
225	1			1482-0793-01	Skärm-bakre.....	Sheet-rear.....			
226	2			9997-0616-16	Skruv.....	Screw.....			
227	2			9699-0025-02	Planbricka.....	Flat washer.....			
228	3			1482-0579-01	Remskyddshållare.....	Belt guard retainer.....			

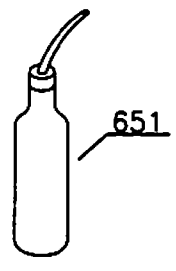
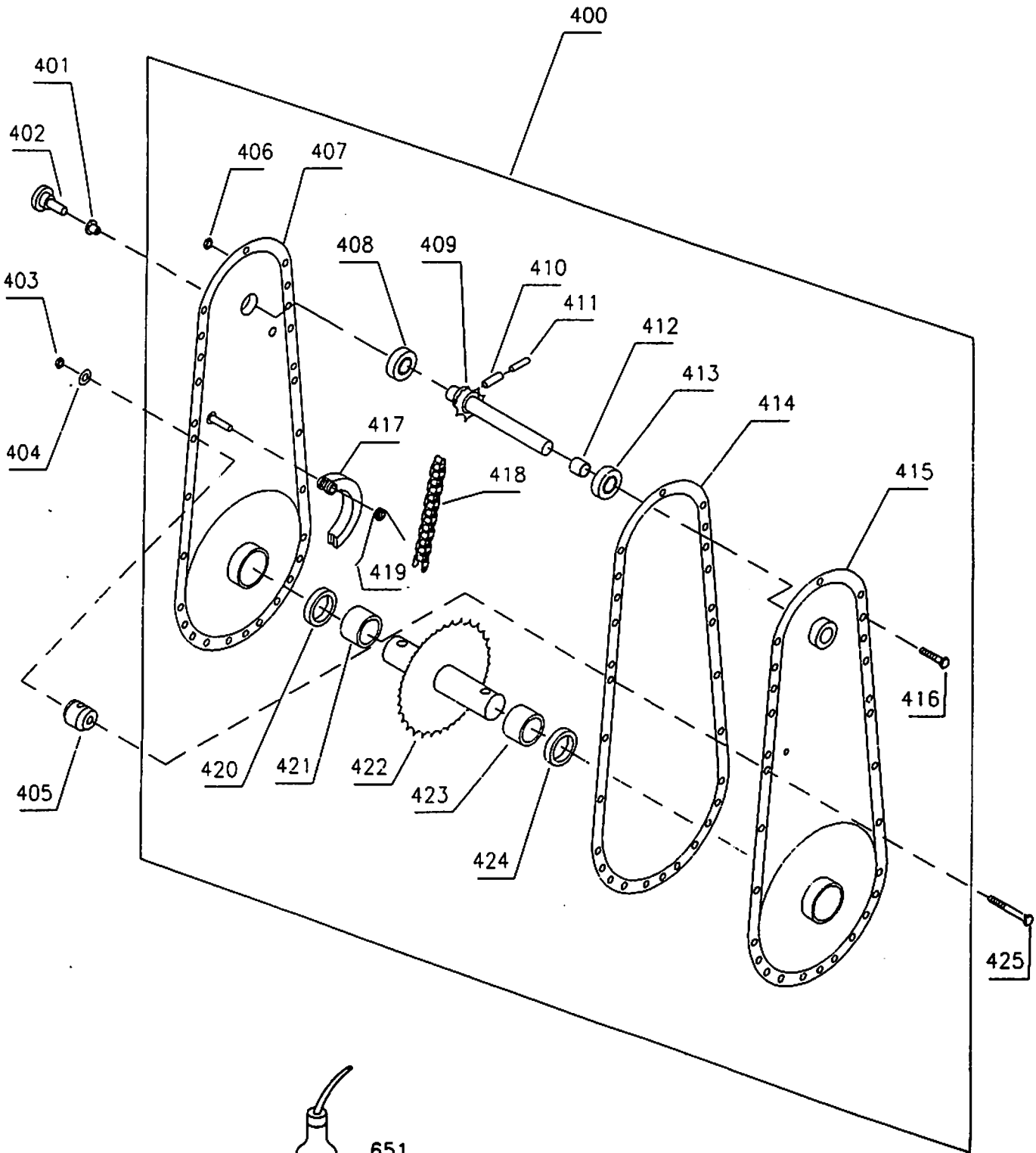


**STIGA**  
**757**  
SPARE PARTS

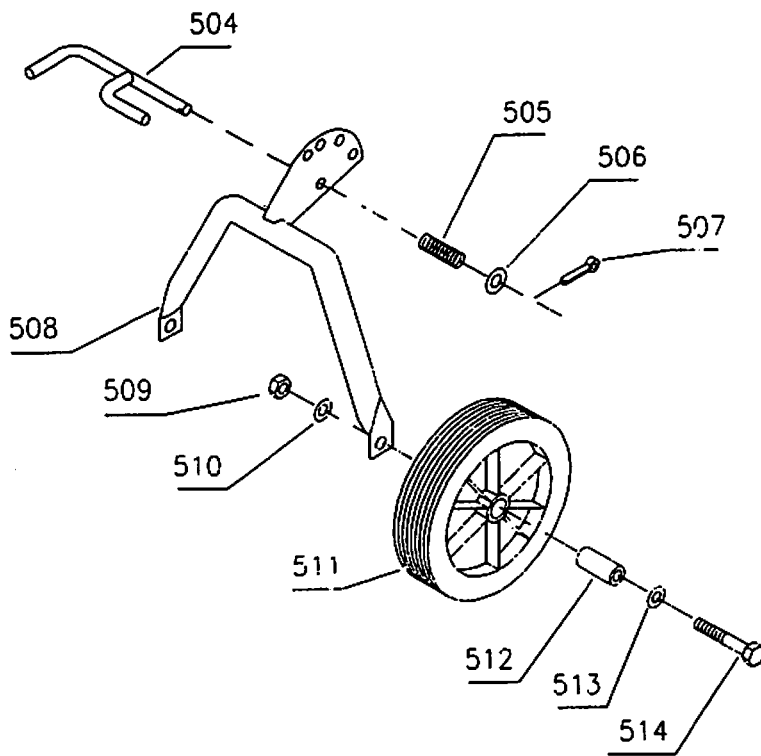
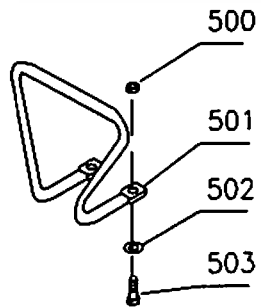
Utgåva Issue 1997-14	Bildnr Picture No 757	JB 35 REMSKIVA	JB 35 BELT PULLEY	Sida Page 122
----------------------------	-----------------------------	-------------------	----------------------	---------------------

Pos. Fig.	Antal/Quantity			Art nr Part No	Benämning	Description	Sats Kit	Anmärkning Notes
	1035							
300	1			1482-0041-00	Sprint.....	Pin .....		
301	1			9799-0631-02	Mutter.....	Nut .....		
302	1			1482-0666-01	Bromssporre .....	Depth skid .....		
303	1			9997-0635-12	Skruv .....	Screw .....		
304	1			9598-0002-02	Låsnål.....	Spring pin .....		
305	3			1482-0697-01	Mutter.....	Nut .....		
306	1			1482-0703-01	Remhjul.....	Ground wheel.....		
307	1			1482-0702-01	Centrumkon.....	Cone.....		
308	1			1482-0700-01	Bricka .....	Washer.....		
309	3			1482-0696-01	Skruv .....	Bolt .....		
310	1			9600-0016-00	Woodruffkil.....	Key.....		
311	1			1482-9001-01	Kilrem.....	V-belt .....		= 9585-0019-00
312	2			9799-0631-02	Mutter.....	Nut .....		
313	2			9683-0025-02	Låsbricka .....	Lock washer.....		
314	1			1482-0791-01	Ram-hö .....	Member-R.H. ....		
315	2			1482-0501-01	Distans .....	Spacer.....		
316	1			1482-0792-01	Ram-vä .....	Member-L.H.....		
317	2			9997-0635-12	Skruv .....	Screw.....		
318	1			1482-0682-01	Remskydd .....	Belt guard .....		
319	2			1482-0580-01	O-ring .....	O-ring .....		
321	1			9699-0025-02	Planbricka.....	Flat washer.....		
322	1			9799-0631-02	Mutter.....	Nut .....		
323	1			1482-0674-01	Mutterhatt.....	Nut guard .....		
324	3			9865-0512-16	Skruv .....	Screw.....		
325	1			1482-0638-01	Plastskärm-hö .....	Outer sheet-R.H. ....		
326	3			9739-0631-22	Mutter.....	Nut .....		
327	1			1482-0794-01	Skärm.....	Sheet.....		
328	2			9997-0616-16	Skruv .....	Screw.....		
329	2			9699-0025-02	Planbricka.....	Flat washer.....		
332	2			9683-0025-02	Låsbricka .....	Lock washer.....		
333	2			9799-0631-02	Mutter.....	Nut .....		
334	1			1482-0672-01	Torx nyckel .....	Torx spanner.....		
335	3			9865-0512-16	Skruv .....	Screw.....		
336	1			1482-0639-01	Plastskärm-vä.....	Outer sheey-L.H.....		
337	3			9739-0631-22	Mutter.....	Nut .....		



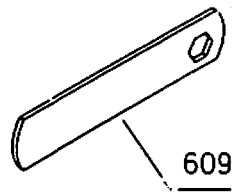
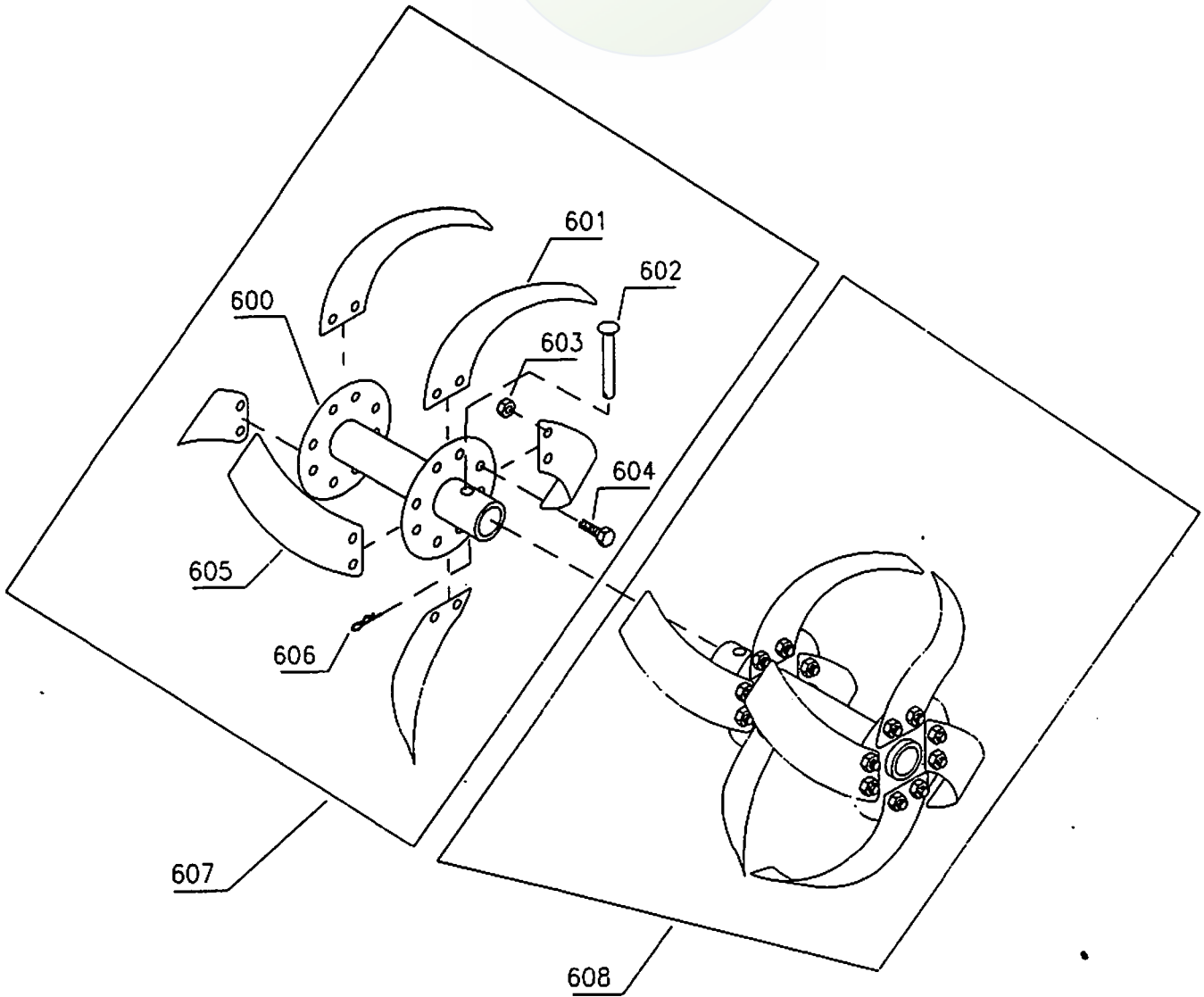


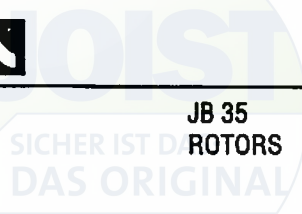
Utgåva Issue		Bildnr Picture No		JB 35 KEDJEHUS	JB 35 CHAIN CASE	Sida Page		
1997-14		758				124		
Pos. Fig.	Antal/Quantity			Art nr Part No	Benämning	Description	Sats Kit	Anmärkning Notes
	1035							
400	1			1482-0788-01	Växelhus kpl .....	Chain case assy .....		
401	1			1482-0554-01	Bussning .....	Bushing .....		
402	1			1482-0248-01	Oljepåfyllningsplugg .....	Oilplug .....		
403	4			9799-0631-02	Mutter .....	Nut .....		
404	4			9683-0025-02	Låsbricka .....	Lock washer .....		
405	4			1482-0677-01	Bussning .....	Mounting bush .....		
406	24			9799-0531-02	• Mutter .....	• Nut .....		
407	1			1482-0668-01	• Kedjehushalva-hö .....	• Chain case-R.H. ....		
408	1			9549-0017-00	• Kullager .....	• Ball bearing .....		
409	1			1482-0631-01	• Ingående axel .....	• Shaft w.sprocket .....		
410	1			1482-0607-01	• Stift-yttre .....	• Pin-outer .....		
411	1			1482-0606-01	• Stift-inre .....	• Pin-inner .....		
412	1			1482-0632-01	• Bussning .....	• Bushing .....		
413	1			9549-0017-00	• Kullager .....	• Ball bearing .....		
414	1			1482-0633-01	• Packning .....	• Gasket .....		
415	1			1482-0669-01	• Kedjehushalva-vä .....	• Chain case-L.H. ....		
416	1			9997-0510-16	• Skruv .....	• Screw .....		
417	1			1482-0630-01	• Kedjesträckare .....	• Chain tensioner .....		
418	1			1482-0514-01	• Kedja .....	• Chain .....		
419	1			1482-0629-01	• Fjäder .....	• Spring .....		
420	1			1482-0214-01	• Tätningsring .....	• Seal .....		
421	1			1482-0485-01	• Nållager .....	• Needle bearing .....		
422	1			1482-0513-01	• Drivaxel .....	• Drive shaft .....		
423	1			1482-0485-01	• Nållager .....	• Needle bearing .....		
424	1			1482-0214-01	• Tätningsring .....	• Seal .....		
425	4			9997-0635-12	Skruv .....	Screw .....		
651	1			1482-0536-01	Växelhusolja (0.5 l) .....	Gear case oil (0.5 l) .....		Texaco Multifak



Utgåva Issue 1997-14	Bildnr Picture No 759	JB 35 STÖDHJUL	JB 35 SUPPORT WHEEL	Sida Page 126
----------------------------	-----------------------------	-------------------	------------------------	---------------------

Pos. Fig.	Antal/Quantity			Art nr Part No	Benämning	Description	Sats Kit	Anmärkning Notes
	1035							
500	2			9799-0631-02	Mutter.....	Nut.....		
501	1			1482-0667-01	Lifthandtag .....	Lift handle .....		
502	2			9683-0025-02	Låsbricka .....	Lock washer.....		
503	2			9997-0616-16	Skruv.....	Screw.....		
504	1			1482-0618-01	Lås f.hjulbygel .....	Wheel fork lock .....		
505	1			1482-0619-01	Fjäder.....	Spring .....		
506	1			9699-0035-02	Planbricka.....	Flat washer.....		
507	1			9599-0071-02	Saxsprint .....	Split pin.....		
508	1			1482-0691-01	Stödhjulsbygel.....	Wheel fork.....		
509	2			9799-1031-02	Mutter.....	Nut.....		
510	2			9683-0040-02	Låsbricka .....	Lock washer.....		
511	2			1482-0526-01	Stödhjul.....	Support wheel.....		
512	2			1482-0521-01	Hjulbussning .....	Wheel bushing .....		
513	2			9699-0035-02	Planbricka.....	Flat washer.....		
514	2			9997-1060-12	Skruv.....	Screw.....		





Utgåva Issue		Bildnr Picture No		JB 35 ROTORER		JB 35 ROTORS		Sida Page	
1997-14		760						128	
Pos. Fig.	Antal/Quantity			Art nr Part No	Benämning	Description	Sats Kit	Anmärkning Notes	
	1035								
600	2			1482-0519-01	• Rotorrör .....	• Rotor tube .....			
601	8			1482-0490-01	• Rotorblad-vä .....	• Blade-L.H. ....			
602	2			1482-0041-00	• Sprint .....	• Pin .....			
603	32			9794-5231-02	• Mutter .....	• Nut .....			
604	32			9987-5222-16	• Skruv .....	• Screw .....			
605	8			1482-0489-01	• Rotorblad-hö .....	• Blade-R.H. ....			
606	2			9598-0002-02	• Låsnål .....	• Spring pin .....			
607	1			1482-0491-01	Rotor kpl-hö .....	Rotor assy-R.H. ....			
608	1			1482-0492-01	Rotor kpl-vä .....	Rotor assy-L.H. ....			
609	1			1482-0835-01	Knivnyckel .....	Wrench .....			